

AC Smith[®]
Innovation has a name.



Water System Motors

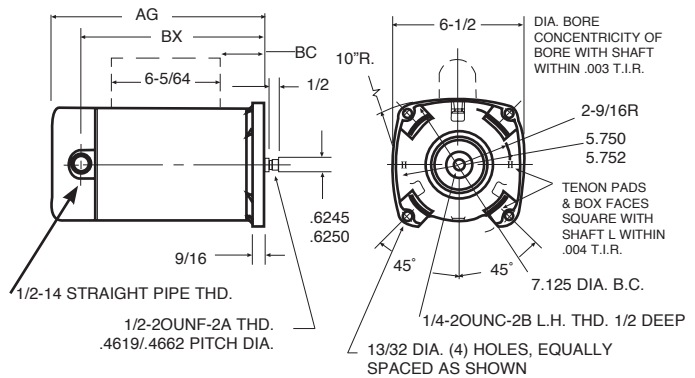
Bulletin 1096A

Your
Source
For Water
System
Pump
Motors

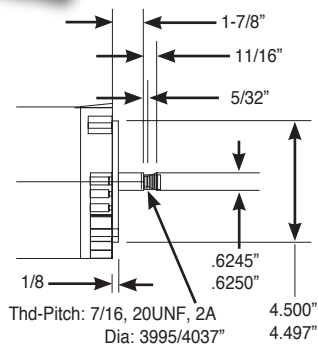
Square Flange and 56C Mechanical Dimensions



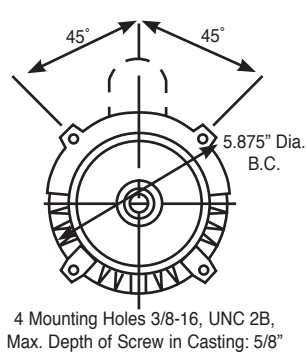
SQUARE FLANGE



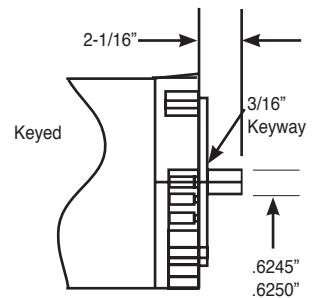
56J



56C (FACE)



56C



NEMA-C Face Single Phase Jet Pump Motors

Important: Total horsepower (HP x service factor) of replacement motor must equal or exceed motor being replaced

Features:

- Auto Protector
- CCWPE & Reversible
- Internally Mounted Capacitor
- Open Dripproof (B615 is TEFC)
- "778" Design
- Ball Bearings
- Continuous Duty
- Internally Mounted Capacitor
- Sealed Switch Design
- 60 Hz
- Capacitor Start
- High Service Factors
- NEMA "56C" Mount
- 40°C Ambient
- Carbon Keyed and 303 Stainless Steel Thrd. Shafts

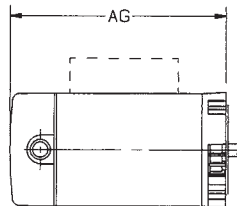


WARNING: Not a suitable replacement for swim pool pump motors.

HP	RPM	Volts	Max. Amps	Service Factor	Frame	Stock Number	Shaft	Rotation	Approx. "AG"	Notes
1/3	3450	115/230	8.6/4.3	1.8	56C	K1030	Key	CCWPE	8-1/4	
		115/230	8.6/4.3	1.8	56C	K1032	Key	Reversible	8-1/4	
		115/230	8.6/4.3	1.8	56J	T1032	Thrd.	CCWPE	8-1/4	12
1/2	3450	115/230	10.8/5.4	1.6	56C	K1050	Key	CCWPE	8-5/8	
		115/230	10.8/5.4	1.6	56C	K1052	Key	Reversible	8-5/8	
		115/230	10.8/5.4	1.6	56J	T1052	Thrd	CCWPE	8-5/8	12
3/4	3450	115/230	14.8/7.4	1.5	56C	K1070	Key	CCWPE	9-1/2	
		115/230	14.8/7.4	1.5	56C	K1072	Key	Reversible	9-1/2	
		115/230	14.8/7.4	1.5	56J	T1072	Thrd	CCWPE	9-1/2	12
1	3450	115/230	16.2/8.1	1.4	56C	K1100	Key	CCWPE	10	
		115/230	16.2/8.1	1.4	56C	K1102	Key	Reversible	10	
		115/230	16.2/8.1	1.4	56J	T1102	Thrd	CCWPE	10	12
1-1/2	3450	115/230	22/11	1.3	56C	K1150	Key	CCWPE	11-5/16	
		115/230	22/11	1.3	56C	K1152	Key	Reversible	11-5/16	
		115/230	22/11	1.3	56J	T1152	Thrd	CCWPE	11 5/16	12
2	3450	115/230	22.6/11.3	1.2	56C	K1200	Key	CCWPE	11-15/16	20,\$
		115/230	22.6/11.3	1.2	56C	K1202	Key	Reversible	11-15/16	20,\$
		115/230	22.6/11.3	1.2	56J	T1202	Thrd	CCWPE	11-15/16	20,\$
3	3450	230	14.4	1.15	56C	SK1302V1	Key	CCWPE	13-7/8	12,20,90,\$
		208-230	14.5/13.8	1.15	56J	ST1302V1	Thrd	CCWPE	14-3/16	20,90,\$

Notes:

- 12. 303 Stainless Steel Shaft
- 20. \$ Energy Efficient capacitor start, capacitor run "Conservationist" motor
- 90. 50 Degree C ambient



Square Flange Single Phase Jet Pump Motors

Important: Total horsepower (HP x service factor) of replacement motor must equal or exceed motor being replaced

Features:

- Auto Protector
- Class B Insulation
- High Service Factors
- Rotation-CCW Pump End
- 60 Hz
- Ball Bearings
- Continuous Duty
- Internally Mounted Capacitor
- Sealed Switch Design
- 303 Stainless Steel Thrd. Shafts
- Capacitor Start
- 50°C Ambient
- Open Dripproof
- "778" Design



Q1032

HP	RPM	Volts	Maximum Amps	Service Factor	Stock Number	Approx. "AG"	Notes
1/3	3450	115/230	9.9/4.95	1.95	Q1032	9.63	New!
1/2	3450	115/230	12.4/6.2	1.90	Q1052	10.38	New!
3/4	3450	115/230	14.8/7.4	1.65	Q1072	11.00	New!
1	3450	115/230	19.9/9.95	1.65	Q1102	11.88	New!
1-1/2	3450	115/230	24.0/12.0	1.47	Q1152	12.63	New!
2	3450	115/230	24.0/12.0	1.25	Q1202	12.63	20 \$,31 New!

WARNING: Not a suitable replacement for square flange swim pool pump motors.

Sump Pump Motors

Features:

- Auto Protector
- Sleeve Bearings
- 48 Frame
- Class B Insulation
- 1725 RPM
- 1.507" I.D. Hub
- Split Phase
- 1.0 Service Factor
- 60 HZ



SP2030A

HP	RPM	Volts	Full Load Amps	Frame	Stock Number	Rotation	Approx. "C"	Notes
1/3	1725	115	6.0	48Y	SP2030A	CWLE	9.3	319
1/3	1725	115	6.0	48Y	SP2034A	CWLE	9.3	195,319
1/2	1725	115	7.3	48Y	SP2050A	REV	9.8	319

Notes:

- 20. \$ Energy Efficient capacitor start, capacitor run "Conservationist" motor
- 31. 40° C Ambient
- 195. Includes 6" cord and switch
- 319. "C" Dimension is the total length including shaft

Special Direct Replacement Pump Motors

Important: Total horsepower (HP x service factor) of replacement motor must equal or exceed motor being replaced

Features:

- Auto Protector
- CCWPE Rotation
- Internally Mounted Capacitor
- 40°C Ambient
- Ball Bearings
- Continuous Duty
- Open Dripproof
- 60 Hz
- Capacitor Start
- High Service Factors
- Sealed Switch Design
- 303 Stainless Steel Thrd. Shafts



VERTICAL MOUNT - ROUND FLANGE - SINGLE PHASE

HP	RPM	Volts	Max Amps	Service Factor	Frame	Stock Number	Shaft	Approx. "AG"	Sta-Rite Reference	Notes
1/2	3450	115/230	12.4/6.2	1.9	48Y	R1052	Spl Thd	9.50	A200CH	
3/4	3450	115/230	14.8/7.4	1.65	48Y	R1072	Spl Thd	10.13	A200DH	
1	3450	115/230	19.2/9.6	1.65	48Y	R1102	Spl Thd	11.19	A200EH	



ROUND FLANGE - EXTENDED SHAFT - SINGLE PHASE

HP	RPM	Volts	Max Amps	Service Factor	Frame	Stock Number	Shaft	Approx. "AG"	Sta-Rite Reference	Notes
3/4	3450	115/230	14.8/7.4	1.65	48Y	R1072ES	Spl Thd	10.13	A300DH	
1	3450	115/230	19.2/9.6	1.65	48Y	R1102ES	Spl Thd	11.19	A300EH	
1-1/2	3450	230	12	1.47	48Y	R1152ES	Spl Thd	11.94	A300FH	
2	3450	230	11.5	1.3	48Y	R1202ES	Spl Thd	11.94	AE300GH	20,\$



SQUARE FLANGE - EXTENDED SHAFT - SINGLE PHASE

HP	RPM	Volts	Max Amps	Service Factor	Frame	Stock Number	Shaft	Approx. "AG"	Sta-Rite Reference	Notes
3/4	3450	115/230	14.8/7.4	1.65	48Y	Q1072ES	Spl Thd	13.13	A700DH	
1	3450	115/230	19.2/9.6	1.65	48Y	Q1102ES	Spl Thd	13.50	A700EH	
1-1/2	3450	115/230	24/12	1.47	48Y	Q1152ES	Spl Thd	12.13	A700FH	

SQUARE FLANGE - SPECIAL SHAFT - SINGLE PHASE

WARNING: Not a suitable replacement for square flange swim pool pump motors.

Features:

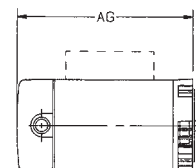
- Auto Protector
- Ball Bearings
- Capacitor Start
- 40°C Ambient
- CCWPE Rotation
- Continuous Duty
- Open Dripproof
- 303 Stainless Steel Shaft (7/16-20UNF-2A Thread)
- 60 Hz



HP	RPM	Volts	Max Amps	Service Factor	Frame	Stock Number	Approx. "AG"	Goulds Reference	Notes
1/2	3450	115/230	12.6/6.3	1.6	48Y	GSQ1052	9.7	SFJ04860	
3/4	3450	115/230	14.8/7.4	1.5	48Y	GSQ1072	10.5	SFJ05860	
1	3450	115/230	16.2/8.1	1.4	48Y	GSQ1102	11.1	SFJ06860	

Note:

20. \$ Energy Efficient capacitor start, capacitor run "Conservationist" motor



Century® and Universal Electric® Hot Water Circulator Pump Motors

Features:

- Cushion Ring and Base Included
- Bell and Gosset, S.A. Armstrong, Taco, Replacement Motors
- Open Dripproof
- Single-Phase
- Special Red Paint
- 60 Hz
- 1725 RPM
- Sleeve Bearing
- Auto Protector



Applications: Replacement motor to be used on hot water pumps. For use with adjustable base.

Single-Phase - 1800 RPM - Cushion Rings - Dripproof

HP	Volts	Frame	Full Load Amps	Service Factor	Stock Number	Type	R Hub-Hub	Rotation	Shaft Dia. & Length	Cross Reference	Notes
1/12	115	48YZ	2.7	1.00	HW20084	1	7.63	CCWLE	1/2"x1/2" flat	4UB99	339,340
		48Y	2.9	1.00	OTA2004	1	6.13	REV	1/2"x7/8" flat		338
1/8	115	48YZ	3.3	1.40	HW2004	1	7.00	CCWLE	1/2"x1-1/2" flat	4UE25	339,340
1/6	115	48YZ	3.6	1.35	HW2014	1	7.63	CWLE	1/2"x5/8" flat	4UE23	339,340
		48YZ	3.6	1.00	HW2014V1	1	7.94	CWLE	1/2"x5/8" flat	4UE24	339,340
1/2	115/230	56Y	7.2/3.6	1.25	C240	1	8.94	REV	5/8"x1-7/8" flat		338
		56Y	7.3/3.6	1.25	C242	1	9.75	REV	5/8"x1-3/8" flat		339
		56Y	9.6/4.8	1.25	C241	1	8.98	CWLE	5/8"x1-1/8" flat	3K519	340
3/4	115/230	56Y	11.8/5.9	1.25	C243	1	8.98	CWLE	5/8"x1-1/8" flat	3K522	340
		56Y	10.4/5.2	1.30	C233	1	9.75	REV	5/8"x1-3/8" flat		339
		56Y	10.4/5.2	1.30	C244	1	9.43	REV	5/8"x1-7/8" flat		338
1	230/115	56Y	6.5/13.0	1.25	C247	1	9.62	REV	5/8"x1-7/8" flat		338
		56Y	6.5/13.0	1.25	C245	1	9.75	REV	5/8"x1-3/8" flat		339
		56Y	6.5/13.0	1.25	C246	1	9.38	REV	5/8"x1-1/8" flat		340
1-1/2	230/115	56Y	7.5/15.0	1.20	C248	1	10.20	REV	5/8"x1-7/8" flat		2,338

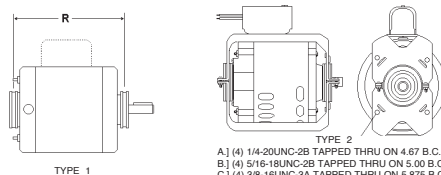


Single-Phase - 1800 RPM - Base Included - Dripproof

HP	Volts	Frame	Full Load Amps	Service Factor	Stock Number	Type	Rotation	Shaft Dia. & Length	Cross Reference	Notes
1/12	115	48Y	2.2	1.00	939	2A	CCWLE	1/2"x3/4" set screw	3K515	1,340
		48Y	2.5	1.00	939L	2A	CCWLE	1/2"x3/4" set screw	3K515	340
		48YZ	2.7	1.75	HW20084B	2A	CCWLE	1/2"x3/4" set screw	4UE10	1,339,340
		48YZ	2.8	1.75	HW20084BL	2A	CCWLE	1/2"x3/4" set screw	4UE10	339,340
1/8	115	48Y	3.1	1.00	OBG2004	2A	REV	1/2"x5/8" set screw		120,340
1/6	115	48YZ	4.0	1.75	HW2014B	2B	CCWLE	1/2"x3/4" set screw	4UE11	339,340
		48YZ	4.0	1.75	HW2014B1	2A	CCWLE	1/2"x3/4" set screw	4UE12	339,340
		48Y	2.9	1.00	941L	2A	CCWLE	1/2"x3/4" set screw	3K520	340
1/4	115	48YZ	4.6	1.25	HW2024B	2C	CWLE	1/2"x1/2" set screw	4UE13	339,340
		48YZ	4.6	1.25	HW2024B1	2B	CCWLE	1/2"x3/4" set screw	4UE14	339,340
1/3	115	48YZ	5.9	1.30	HW2034B	2C	CWLE	1/2"x1/2" set screw	4UE15	339,340
1/2	115/208-230	56YZ	5.8/2.8-2.9	1.50	C249	2C	REV	5/8"x1-1/8" keyed	4UE16	339,340
3/4	115/208-230	56YZ	8.4/4.2-4.2	1.50	C250	2C	REV	5/8"x1-1/8" keyed	4UE18	339,340

Notes:

1. Item to be discontinued when stock is depleted
2. Ball bearing
120. Suitable replacement for 1/12 HP and 1/10 HP
338. Taco replacement
339. Armstrong replacement
340. Bell & Gosset replacement



Century® and Universal Electric® Hot Water Circulator Pump Motors

Features:

- Cushion Ring, No Base and C-Face
- Bell and Gosset, S.A. Armstrong, Taco, Replacement Motors
- Open Dripproof
- Three-Phase
- Special Red Paint
- 60 Hz
- 1725 RPM
- Sleeve and Ball Bearing
- No Protector



H988



H946, H947,
H982, H983,
H984, H985,
H986, H987

Applications: Replacement motor to be used on hot water pumps. For use with adjustable base.

Three-Phase - 1800 RPM - No Base - Cushion Rings - Dripproof - Keyed Shaft

HP	Volts	Frame	Full Load Amps	Service Factor	Stock Number	Bearings	Type	R Hub-Hub	Shaft Dia. & Length	Cross Reference	Notes
3/4	208-230/460	56Y	2.5-2.6/1.3	1.30	H982	Sleeve	1	9.43	5/8"x1-7/8"		338
		56Y	2.5-2.6/1.3	1.25	H983	Sleeve	1	8.87	5/8"x1-1/8"	3N824	339,340
1	208-230/460	56Y	3.4-3.4/1.7	1.25	H984	Sleeve	1	9.82	5/8"x1-3/8"		339
		56Y	3.4-3.4/1.7	1.25	H985	Sleeve	1	9.38	5/8"x1-1/8"		340
		56Y	3.4-3.4/1.7	1.25	H946	Sleeve	1	9.43	5/8"x1-7/8"		6,338
		575	56Y	1.4	1.25	H947	Sleeve	1	9.43	5/8"x1-7/8"	
1-1/2	208-230/460	56Y	4.8-5.0/2.5	1.15	H986	Sleeve	1	9.62	5/8"x1-3/8"	3N826	339,340
2	208/230/460	56Y	6.3-6.4/3.2	1.15	H987	Ball	1	9.71	5/8"x1-7/8"		338
3	208/230/460	56Y	4.4/9.0-8.8	1.15	H988	Ball	1	11.70	7/8"x2-1/4"		338



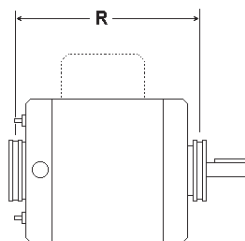
H1041, H1042,
H1043, H1044,
H1046, H1047,
H1048, H1049

Three-Phase - 1800 RPM - C-Face - Dripproof

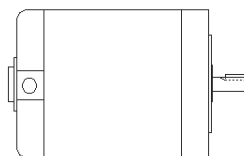
HP	Volts	Frame	Full Load Amps	Service Factor	Stock Number	Bearings	Type	Cross Reference	Notes
1/2	208-230/460	56CZ	1.8-2.2/1.1	1.50	H1041	Ball	3	4UE17	339,340
		575	56CZ	0.9	1.25	H1046	Ball	3	
3/4	208-230/460	56CZ	2.5-2.6/1.3	1.50	H1042	Ball	3	4UE19	339,340
		575	56CZ	1.1	1.25	H1047	Ball	3	
1	208-230/460	56CZ	3.4-3.4/1.7	1.40	H1043	Ball	3	4UE20	339,340
		575	56CZ	1.4	1.25	H1048	Ball	3	
1-1/2	208-230/460	56CZ	5.7-5.6/2.8	1.35	H1044	Ball	3	4UE21	339,340
		575	56CZ	2.1	1.35	H1049	Ball	3	

Notes:

- 6. 60/50 HZ
- 338. Taco replacement
- 339. Armstrong replacement
- 340. Bell & Gosset replacement



TYPE 1



TYPE 3

Century® NEMA “C” Face Commercial Pump Motors

Commercial Pump Motors - Three Phase - Squirrel Cage - Dripproof & TEFC No Base 3600 RPM - 1/3 thru 3 HP

Features: Double Sealed Ball bearings • 60 Hz • 40°C Ambient • Class B Insulation

Applications: Domestic, commercial and industrial water systems. May be mounted horizontally or vertically, open or enclosed, keyed or threaded shaft. Shaft end ball bearings locked in bracket takes all pump thrust.



H506

DRIPPROOF

HP	RPM	Volts	Service Factor Amps	Service Factor	Frame	Stock Number	Shaft	Overload Protector	“C” Dim.	Notes
1/3	3450	200-230/460	2.0-1.8/9	1.75	56C	H251	Keyed	None	10.54	6,267
		575	0.72	1.75	56C	H198	Keyed	None	10.54	
	200-230/460	2.0-1.8/9	1.75	56J	H137	Threaded	None	11.04	6,12,267	
		575	0.72	1.75	56J	H199	Threaded	None	11.04	1
1/2	3450	208-230/460	2.6-2.6/1.3	1.60	56C	H254	Keyed	None	10.54	6,267
		575	0.90	1.60	56C	H247	Keyed	None	10.54	
	208-230/460	2.6-2.6/1.3	1.60	56J	H155	Threaded	None	11.04	6,12,267	
		575	0.90	1.60	56J	H248	Threaded	None	11.04	12
3/4	3450	208-230/460	3.4-3.4/1.7	1.50	56C	H508	Keyed	None	11.29	6,267
		575	1.2	1.50	56C	H298	Keyed	None	11.29	
	208-230/460	3.4-3.4/1.7	1.50	56J	H446	Threaded	None	11.79	6,12,267	
		575	1.2	1.50	56J	H299	Threaded	None	11.79	12
1	3450	208-230/460	4.3-4.0/2.0	1.40	56C	H511	Keyed	None	11.29	6,267
		575	1.5	1.40	56C	H428	Keyed	None	11.29	
	208-230/460	4.3-4.0/2.0	1.40	56J	H506	Threaded	None	11.79	6,12,267	
		575	1.5	1.40	56J	H429	Threaded	None	11.79	12
1-1/2	3450	208-230/460	5.8-5.6/2.8	1.30	56C	H609	Keyed	None	11.79	6,267
		575	1.75	1.30	56C	H592	Keyed	None	11.79	
	208-230/460	5.8-5.6/2.8	1.30	56J	H607	Threaded	None	12.29	6,12,267	
		575	1.75	1.30	56J	H593	Threaded	None	12.29	12
2	3450	200-230/460	6.8-6.6/3.3	1.20	56C	H612	Keyed	None	12.29	6,267
		575	2.5	1.20	56C	H628	Keyed	None	12.29	
	200-230/460	6.8-6.6/3.3	1.20	56J	H733	Threaded	None	12.79	6,12,267	
		575	2.5	1.20	56J	H629	Threaded	None	12.79	12
3	3450	200-230/460	9.8-9.6/4.8	1.15	56C	H736	Keyed	None	12.29	
		575	3.4	1.15	56C	H713	Keyed	None	12.29	
	200-230/460	9.8-9.6/4.8	1.15	56J	H734	Threaded	None	12.79	12	
		575	3.4	1.15	56J	H714	Threaded	None	12.79	12

TEFC

HP	RPM	Volts	Full Load Amps	Service Factor	Frame	Stock Number	Shaft	Overload Protector	“C” Dim.	Notes
1/3	3450	200-230/460	1.3-1.4/7	1.15	56C	H191	Keyed	None	9.82	14
		200-230/460	1.3-1.4/7	1.15	56J	H259	Threaded	None	9.68	12,14
1/2	3450	200-230/460	1.9-1.8/9	1.15	56C	H192	Keyed	None	9.54	14
		200-230/460	1.9-1.8/9	1.15	56J	H283	Threaded	None	10.05	12,14
3/4	3450	200-230/460	.69	1.00	56J	H989	Threaded	None	10.05	1
		200-230/460	2.6-2.4/1.2	1.15	56C	H193	Keyed	None	11.34	
	200-230/460	2.6-2.4/1.2	1.15	56J	H515	Threaded	None	11.89	12	
		575	0.92	1.00	56J	H966	Threaded	None	11.84	12
1	3450	200-230/460	3.2-3.0/1.5	1.15	56C	H194	Keyed	None	11.34	
		200-230/460	3.2-3.0/1.5	1.15	56J	H516	Threaded	None	11.84	12
	575	1.15	1.00	56C	H990	Keyed	None	12.29		
		1.15	1.00	56J	H967	Threaded	None	11.84	12	
1-1/2	3450	200-230/460	4.5-4.2/2.1	1.15	56C	H195	Keyed	None	11.71	
		200-230/460	4.5-4.2/2.1	1.15	56J	H661	Threaded	None	12.27	12
	575	1.6	1.00	56J	H968	Threaded	None	12.21	12	
		200-230/460	6.0-5.3/2.65	1.15	56C	H196	Keyed	None	12.21	
2	3450	200-230/460	6.0-5.5/2.75	1.15	56J	H706	Threaded	None	12.77	12
		575	2.2	1.00	56J	H969	Threaded	None	12.71	12
	575	2.2	1.00	56C	H948	Keyed	None	12.61		
		200-230/460	8.5-8.2/4.1	1.00	56C	H197	Keyed	None	13.46	
3	3450	200-230/460	8.5-8.2/4.1	1.00	56J	H707	Threaded	None	13.77	12
		575	3.1	1.00	56J	H970	Threaded	None	14.21	12

Notes:

- Item to be discontinued when stock is depleted
- 60/50 Hertz
- 303 Stainless steel shaft
- Totally enclosed non-ventilated
267. 50 Hz-1.00 Service Factor, 190/380 volt

Century® NEMA “C” Face • General Purpose Industrial Motors

Single Phase - Capacitor Start - Dripproof - No Base & Rigid Base Keyed Shaft - 3450 & 1725 RPM - 1/4 thru 5 HP



Features:

- Ball Bearing
- 60 Hz
- 40°C Ambient
- Class B Insulation
- Reversible

Applications:

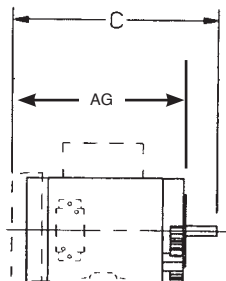
Designed for industrial and commercial pumps, speed reducers and other equipment that mounts directly on a NEMA “C” Face type motor.

HP	RPM	Volts	Full Load Amps	Service Factor	Frame	Stock Number	Overload Protector	“C” Dim.	“AG” Dim.	Efficiency	Notes
NO BASE											
1/4	1725	115/230	5.0/2.5	1.35	56C	K1024LD	None	9.6	7.5		62
1/3	1725	115/230	7.2/3.6	1.35	56C	K1034L	None	10.3	8.4		
1/2	1725	115/208-230	7.2/3.5-3.6	1.25	56C	C315	None	11.1	9.0		
		115/208-230	7.2/3.5-3.6	1.25	56C	C635	Auto	11.1	9.0		
3/4	1725	208-230/115	5.2-5.3/10.6	1.25	56C	C316	None	11.4	9.4		
		208-230/115	5.2-5.3/10.6	1.25	56C	C665	Auto	11.4	9.4		
1	1725	208-230/115	7.2-6.5/13.0	1.25	56C	C445	None	12.2	10.1		
1-1/2	1725	208-230/115	7.8-7.5/15.0	1.20	56C	C506	None	12.7	10.6		5,\$
2	1725	115/208-230	20.4/10.0-10.2	1.15	145TC	V108	None	13.9	11.7		5,\$
RIGID BASE											
1/3	3450	115/208-230	6.8/3.9-3.4	1.35	56C	B416	Auto	10.3	8.3		
		115/208-230	5.2/2.6-2.5	1.35	56C	C235	None	11.1	9.0		
1/2	3450	115/208-230	8.2/3.9-4.1	1.25	56C	B513	Auto	10.6	8.5		
		115/208-230	7.2/3.5-3.6	1.25	56C	C335	None	11.1	9.0		
3/4	3450	208-230/115	5.0-5.1/10.2	1.25	56C	B652	Auto	11.2	9.1		
		208-230/115	5.2-5.3/10.4	1.25	56C	C446	None	11.4	9.3		
1	3450	208-230/115	6.4-6.4/12.8	1.15	56C	B672	Auto	11.4	9.4		
		208-230/115	7.2-6.5/13.0	1.25	56C	C530	None	12.2	10.1		
1-1/2	3450	115/230	13.0/6.5	1.15	56C	B870	Manual	11.5	9.4		5,\$
		208-230/115	9.4-9.0/18.0	1.15	56C	B753	Auto	12.3	10.3		
		115/230	13.4/6.7	1.15	56C	C776	Manual	12.2	10.1		5,\$
		208-230/115	7.8-7.5/15.0	1.20	56C	C508	None	12.7	10.6		5,\$
2	3450	115/208-230	17.2/9.2-8.6	1.15	56C	B860	Manual	12.7	10.6		5,\$
		208-230/115	10.0-9.5/19.0	1.15	56C	B764	Auto	12.2	10.1		5,\$
		115/230	18.0/9.0	1.15	56HC	C215	Manual	14.4	12.4		5,\$
		115/208-230	20.4/10.0-10.2	1.15	145TC	V106	None	13.9	11.7		5,\$
3	3450	208-230	13.5-12.5	1.15	56HC	B181	Manual	12.7	10.6		5,\$
		115/230	32.0/16.0	1.15	182TC	V202	None	14.4	11.8	72.2	
		230/115	17.0/34.0	1.15	184TC	V212	None	15.4	12.8	77.0	
5	3450	230	25.6	1.15	184TC	V203	None	15.4	12.4	77.0	

Notes:

5. \$ Energy efficient two valve capacitor start capacitor run motor
62. Split Phase

For mounting dimensions, see the inside cover



Century® NEMA “C” Face • General Purpose Industrial Motors

Single Phase - Capacitor Start - Dripproof - Rigid & Removable Base
3600 RPM & 1800 RPM - Threaded Shaft - Non-Reversible
303 Stainless Steel Shaft - 1/4 thru 2 HP



Features:

- Ball Bearing
- 60 Hz
- 40°C Ambient
- Class B Insulation
- CW Non-Reversible

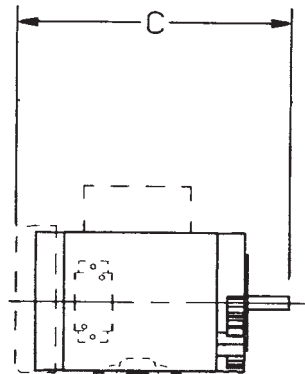
Applications: Centrifugal pumps only

HP	RPM	Volts	Service Factor Amps	Service Factor	Frame	Stock Number	Base	Overload Protector	“C” Dim.	Notes
1/4	1800	115/230	5.6/2.8	1.35	56J	C051	Removable	Auto	10.6	
1/3	3600	115/230	8.6/4.3	1.75	56J	B472	Rigid	Auto	11.1	150
	1800	115/230	6.2/3.1	1.35	56J	C052	Removable	Auto	11.6	
1/2	3600	115/230	10.0/5.0	1.60	56J	B606	Rigid	Auto	11.3	
	1800	115/230	8.2/4.1	1.25	56J	C053	Removable	Auto	11.6	
3/4	3600	230/115	6.6/3.2	1.50	56J	B620	Rigid	Auto	11.8	
	1800	230/115	5.8/11.6	1.25	56J	C054	Removable	Auto	12.0	
1	3600	230/115	8.1/16.2	1.40	56J	B622	Rigid	Auto	12.1	
	1800	230/115	7.2/14.4	1.25	56J	C055	Removable	Auto	12.7	
1-1/2	3600	230/115	10.4/20.8	1.30	56J	B754	Rigid	Auto	13.1	
2	3600	230/115	11.2/22.4	1.20	56J	B765	Rigid	Auto	12.8	5,\$

Notes:

5. \$ Energy efficient two value capacitor start capacitor run motor
 150. 50/60 HZ

For mounting dimensions, see the inside cover



Capacitor Start TEFC C-Face Motors

Features:

- Ball Bearing
- Capacitor Start
- Continuous Duty
- Electrically Reversible
- Keyed Shaft
- 40°C Ambient
- 60 HZ
- 1/4 thru 2 HP



EC1054A



C153

Applications:

Designed for industrial and commercial pumps, speed reducers and other equipment that mounts directly on a NEMA "C" Face type motor.

FOOTLESS

HP	RPM	Volts	Full Load Amps	Service Factor	Frame	Stock Number	Overload Protector	Approx. "C"	Insul Class	Notes
1/4	1725	115/230	3.6/1.8	1.0	56C	C153	None	10.0	A	14
	1140	115/208-230	5.0/2.4-2.5	1.15	56C	C208	None	12.2	B	39
1/3	3450	115/208-230	4.8/2.5-2.4	1.15	56C	B421	None	10.2	B	14
	1725	115/208-230	5.2/2.5-2.6	1.15	56C	C155	None	11.0	B	14
	1140	115/208-230	6.0/3.0-3.0	1.15	56C	C209	None	12.5	B	39
1/2	3450	115/208-230	7.4/3.7-3.7	1.15	56C	B519	None	11.3	B	39
	1725	115/230	8.7/4.3	1.15	56C	EC1054A	Auto	11.2	B	39,48,150
		115/208-230	7.2/3.5-3.6	1.15	56C	C907	None	12.2	B	39
3/4	3450	208-230/115	5.0-4.6/9.2	1.15	56C	B619	None	12.2	B	39
	1725	208-230/115	5.4-5.2/10.4	1.15	56C	C916	None	12.5	B	39
		115/230	11.2/5.6	1.15	56C	EC1074A	Auto	11.7	B	39,150
1	1140	115/208-230	8.8/4.6-4.4	1.15	145TC	K108	None	13.4	B	39,85,\$
	3450	208-230/115	6.1-6.0/12.0	1.15	56C	B793	None	12.2	B	39
1	1725	208-230/115	6.2-6.0/12.0	1.15	56C	C926	None	13.0	B	39
1-1/2	3450	208-230/115	8.3-8.0/16.0	1.15	56C	B794	None	12.7	B	39
	1725	208-230/115	7.7-7.5/15.0	1.15	56C	C507	None	13.7	B	39,85,\$
		115/208-230	15.0/7.7-7.5	1.15	145TC	K115	None	14.4	B	39,85,\$
2	3450	208-230/115	9.1-8.4/16.6	1.15	56C	B816	None	15.0	B	39,85,\$
	1725	115/208-230	17.8/9.6-8.9	1.00	145TC	K107	None	15.2	F	39,85,\$

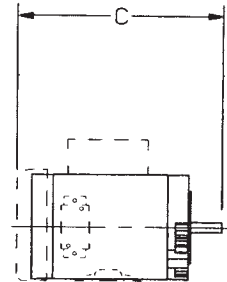
Notes:

- 14. Totally Enclosed non-ventilated
- 39. Gasketed Conduit Box
- 48. 1.0 Service factor at 50 HZ
- 85. \$ Energy Efficient – Capacitor Start and Run
- 150. 50/60 HZ

For mounting dimensions, see the inside cover

Shaft Dimensions

- 56C = 5/8" Keyed x 1-7/8"
- 56J = 5/8" Threaded x 2-7/16"
- 143TC/145TC = 7/8" Keyed x 2-1/4"



Capacitor Start TEFC C-Face Motors

Features:

- Ball Bearing
- Capacitor Start
- Class B Insulation
- Continuous Duty
- Electrically Reversible
- Keyed Shaft
- 40°C Ambient
- 60 HZ
- 1/4 thru 5 HP



C823



ECB1104M

Applications:

Designed for industrial and commercial pumps, speed reducers and other equipment that mounts directly on a NEMA "C" Face type motor.

RIGID BASE AND REMOVABLE BASE

HP	RPM	Volts	Full Load Amps	Service Factor	Frame	Stock Number	Base	Protector	Approx. "C"	Eff.	Notes
1/4	1200	115/208-230	5.0/2.4-2.5	1.15	56C	C823	RMOV	None	12.0		167
1/3	3600	115/208-230	4.8/2.5-2.4	1.15	56C	B420	Rigid	None	10.2		14,221
	1800	115/208-230	6.4/3.2	1.15	56C	C824	RMOV	None	12.2		167
	1200	115/208-230	6.0/3.0-3.0	1.15	56C	C825	RMOV	None	12.5		167
1/2	3600	115/208-230	7.4/3.5-3.7	1.15	56C	B888	RMOV	None	11.3		167
	1800	115/208-230	7.2/3.5-3.6	1.15	56C	C826	RMOV	None	12.2		167
	1200	115/208-230	8.4/4.0-4.2	1.15	56C	C827	RMOV	None	13.0		167
3/4	3600	115/208-230	9.2/5.0-4.6	1.15	56C	B889	RMOV	None	12.2		167
	1800	115/208-230	10.4/5.4-5.2	1.15	56C	C828	RMOV	None	12.5		167
	1200	115/208-230	8.8/4.6-4.4	1.15	56C	C829	RMOV	None	13.5		85,167,\$
			115/208-230	8.8/4.6-4.4	1.15	145TC	K109	Rigid	None	13.4	
1	3600	115/208-230	12.0/6.1-6.0	1.15	56C	B890	RMOV	None	12.2		167
	1800	115/208-230	15.0/7.2-7.5	1.15	56HC	C830	RMOV	None	13.2		30,167
1-1/2	3600	115/230	13.0/6.5	1.15	56C	B871	Rigid	Manual	12.7		85,
		115/208-230	16.0/8.3-8.0	1.15	56C	B891	RMOV	None	12.7		167
	1800	115/208-230	15.0/7.8-7.5	1.15	56HC	C831	RMOV	None	13.7		85,167,\$
		230/115	7.5/15.0	1.20	56C	C777	Rigid	Manual	13.7		85,
2	3600	115/208-230	16.6/9.1-8.4	1.15	56HC	B861	Rigid	Manual	14.2		85,
		115/208-230	16.4/9.1-8.2	1.15	56HC	B892	RMOV	None	15.0		30,85,167,\$
	1800	115/230	17.0/8.5	1.15	56HC	C213	Rigid	Manual	14.4		85,\$
		115/208-230	17.8/9.6-8.9	1.15	56HC	C832	RMOV	None	14.2		30,85,87,167,\$
3	3600	208-230	13.1-11.8	1.15	56HC	B893	RMOV	None	15.2		30,85,167,\$
		230	12.0	1.15	56HC	B382	Rigid	Manual	15.2		85
	1800	115/230	34.0/17.0	1.15	184TC	K209	Rigid	None	16.3	76.0	87
5	1800	230	23.0	1.15	213TC	K307	Rigid	None	18.4	81.0	85,87,\$

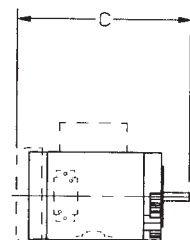
Notes:

- 14. Totally enclosed non-ventilated
- 30. 56, 140 Frame combination base (12 mounting holes)
- 85. \$ Energy efficient - capacitor start & run
- 87. Class F Insulation
- 167. New Quad-Plus model – Removable base (RMOV), Vertical Shaft Up or Down, and Steel Frame construction
- 221. Does not have conduit box

For mounting dimensions, see the inside cover

Shaft Dimensions

- 56C = 5/8" Keyed x 1-7/8"
- 56HC = 5/8" Keyed x 1-7/8"
- 145TC = 7/8" Keyed x 2"
- 184TC = 1-1/8" Keyed x 2-1/2"
- 213TC = 1-3/8" Keyed x 3-1/8"



Century® Close-Coupled Pump Motors

Types JM, JP and TCZ - Three-Phase - Horizontal - Dripproof - Rigid Base - 3600 and 1800 RPM - 60 Hz - 1 thru 40 HP

Features: Ball Bearings • 60 Hz • 40°C Ambient • Class B or F Insulation • External Slinger • Oversized, Locked Shaft End Bearing • Frame Suffix Letters TCZ Designate Century West Coast Pump Standard Motors



Applications: Commercial/industrial pump duty. Designed to meet a wide variety of applications for fluid transfer.

HP	RPM	Volts	Full Load Amps	Service Factor	Frame	Stock Number	Insulation Class	"C" Dim.	Efficiency	Notes
1	1800	200-230/460	3.5-3.8/1.9	1.15	143JM	E117	B	14.40	84.0	6,21
		230/460	3.8/1.9	1.25	143JP	E118	B	17.85	81.5	6,21
1-1/2	3600	200-230/460	4.5-4.2/2.1	1.15	143JM	E119	B	14.87	86.5	6,21
		230/460	4.2/2.1	1.25	143JP	E148	B	17.85	86.5	6,21
		230/460	4.2/2.1	1.25	143TCZ	E149	B	17.85	86.5	1,6,21
	1800	200-230/460	5.0-5.6/2.8	1.15	145JM	E156	B	14.87	84.0	6,21
		230/460	5.6/2.8	1.25	145JP	E157	B	17.85	81.5	6,21
		230/460	5.6/2.8	1.25	145TCZ	E158	B	17.85	81.5	1,6,21
2	3600	200-230/460	6.2-5.6/2.8	1.15	145JM	E159	B	15.40	82.5	6,21
		230/460	5.3/2.65	1.25	145JP	E172	B	17.85	82.5	6,21
		230/460	5.6/2.8	1.25	145TCZ	E158	B	17.85	81.5	1,6,21
	1800	200-230/460	6.2-6.4/3.2	1.15	145JM	E174	B	15.40	81.5	6,21
		230/460	6.4/3.2	1.25	145JP	E175	B	17.85	81.5	6,21
		230/460	6.4/3.2	1.25	145TCZ	E176	B	17.85	81.5	1,6,21
3	3600	200-230/460	9.0-8.6/4.3	1.15	145JM	E177	B	15.40	84.0	6,21
		230/460	8.6/4.3	1.25	145JP	E178	B	17.85	84.0	6,21
		230/460	8.6/4.3	1.25	145TCZ	E179	B	17.85	84.0	1,6,21
	1800	200-230/460	9.1-8.8/4.4	1.15	182JM	E294	B	16.88	85.5	6,21
		230/460	8.8/4.4	1.25	182JP	E295	F	19.94	85.5	6,21
		200-230/460	9.2-8.6/4.3	1.15	182TCZ	E276	B	18.02	84.0	1
5	3600	208-230/460	13.4-13.2/6.6	1.15	182JM	E296	B	17.12	86.5	6,21
		230/460	13.4/6.7	1.25	182JP	E297	F	20.18	86.5	6,21
		200-230/460	14.2-13.0/6.5	1.15	182TCZ	E279	B	19.52	80.0	1
	1800	200-230/460	15.5-15.0/7.5	1.15	184JM	E282M	F	14.97	82.5	
		200-230/460	15.5-15.0/7.5	1.15	184JP	E283M	F	19.11	85.5	
		200-230/460	15.5-15.0/7.5	1.15	184TCZ	E284M	F	18.02	85.5	1
7-1/2	3600	200-230/460	21.8-20.0/10.0	1.15	184JM	E285M	F	16.97	82.0	
		200-230/460	22.0-19.0/9.5	1.25	184JP	E286M	F	20.78	85.5	
		200-230/460	20.5-17.2/8.6	1.15	184TCZ	E287M	F	20.78	87.5	1
	1800	200-230/460	22.0-21.0/10.5	1.15	213JM	E368	F	17.43	87.5	
		200-230/460	22.0-21.0/10.5	1.15	213JP	E369	F	21.31	87.5	
		200-230/460	22.0-21.0/10.5	1.15	213TCZ	E370	F	20.49	87.5	1
10	3600	200-230/460	28.2- 27.0/13.5	1.15	213JM	E371M	F	18.43	86.5	
		200-230/460	28.2- 27.0/13.5	1.15	213JP	E372M	F	22.31	86.5	
		200-230/460	29.0-27.0/13.5	1.15	213TCZ	E373M	F	21.49	88.5	1
	1800	200-230/460	30.0-26.0/13.0	1.15	215JM	E374	F	17.43	88.5	
		230/460	26.0/13.0	1.25	215JP	E375	F	21.31	88.5	
		200-230/460	34.0-26.0/13.0	1.25	215TCZ	E376M	F	20.47	88.5	1
15	3600	200-230/460	42.0-38.0/19.0	1.15	215JM	E377	F	19.93	88.5	
		200-230/460	42.0-38.0/19.0	1.15	215JP	E378	F	23.81	88.5	
		200-230/460	42.0-38.0/19.0	1.15	215TCZ	E379	F	22.59	88.5	1
	1800	200-230/460	46.0-39.6/19.8	1.15	254JM	E482	F	20.88	88.5	
		200-230/460	46.0-39.6/19.8	1.15	254JP	E483	F	20.88	88.5	
		200-230/460	46.0-39.6/19.8	1.15	254TCZ	E483	F	20.88	88.5	
20	3600	200-230/460	55.0-51.0/25.5	1.15	254JM	E485	F	23.60	90.2	
		200-230/460	55.0-51.0/25.5	1.15	254JP	E486	F	26.48	90.2	
		200-230/460	55.0-51.0/25.5	1.15	254TCZ	E487	F	26.48	90.2	1
	1800	200-230/460	58.0-53.6/26.8	1.15	256JM	E488	F	23.60	87.5	
		200-230/460	58.0-53.6/26.8	1.15	256JP	E489	F	26.48	87.5	
		200-230/460	58.0-53.6/26.8	1.15	256TCZ	E489	F	26.48	87.5	
25	3600	200-230/460	67.0-61.0/30.5	1.15	256JM	E491	F	23.60	90.2	
		200-230/460	67.0-61.0/30.5	1.15	256JP	E492	F	26.48	90.2	
		200-230/460	67.0-61.0/30.5	1.15	256TCZ	E493	F	26.48	90.2	1

Notes:

- 1. Item to be discontinued when stock is depleted
- 6. 60/50 HZ
- 21. Terminal in bracket construction

For mounting dimensions, see page 16

Continues on next page



Century® Close-Coupled Pump Motors

Continued from previous page

Types JM, JP and TCZ - Three-Phase - Horizontal - Dripproof - Rigid Base • 3600 and 1800 RPM - 60 Hz - 1 thru 40 HP

Features:

- Ball Bearings
- Class B or F Insulation
- 1.15 Service Factor
- 60 Hz
- External Slinger
- Frame Suffix Letters TCZ Designate Century West Coast Pump Standard Motors
- 40°C Ambient
- Oversized, Locked Shaft End Bearing



E572

Applications: Commercial/industrial pump duty. Designed to meet a wider variety of applications for fluid transfer.

HP	RPM	Volts	Full Load Amps	Frame	Stock Number	Insulation Class	"C" Dim.	Efficiency	Notes
30	1725	200-230/460	81.0-72.0/36.0	286JM	E572	F	26.36	91.7	1

Century® Close-Coupled Pump Motors

Three Phase - Type JM - Dripproof - NEMA "C" Face - No Base - 50/60 Hz

Features:

- Double Sealed Ball Bearings
- Class B Insulation
- Terminal In Bracket Construction.
- 60/50 Hz Markings on Nameplate
- External Shaft Slinger
- 40°C Ambient
- Oversized, Locked Shaft End Bearing



E159RF

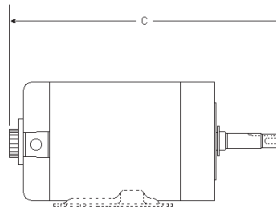
Applications: Commercial pump duty. Designed to meet a wide variety of applications for fluid transfer.

HP	RPM	Volts	Full Load Amps	Service Factor	Frame	Stock Number	"C" Dim.	Efficiency	Notes
1	1800	200-230/460	3.5-3/8/1.9	1.15	143JM	E117RF	14.4	84.0	1
2	3600	200-230/460	6.2-5.6/2.8	1.15	145JM	E159RF	15.4	84.0	1
3	3600	200-230/460	9.0-8.6/4.3	1.15	145JM	E177RF	15.4	84.0	1

Notes:

1. Item to be discontinued when stock is depleted

For mounting dimensions, see page 16



Century® Industrial Close-Coupled Pump Motors

Types JM, JP and TCZ - Three-Phase - Horizontal - TEFC - Rigid Base - 3600 and 1800 RPM - 1 thru 25 HP

Features:

- Ball Bearings
- Class B or F Insulation
- Oversized, Locked Shaft End Bearing
- Frame Suffix Letters JM and JP Designate NEMA Standard Motors
- Frame Suffix TCZ Designates Century West Coast Pump Standard Motors
- 60 Hz
- Service Factor 1.15
- 40°C Ambient
- External Slinger



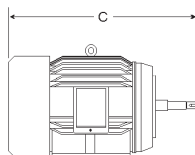
N211

Applications: Designed for the specific requirements of centrifugal pumps.

HP	RPM	Volts	Full Load Amps	Frame	Stock Number	Insulation Class	Cast Iron	Type	"C" Dim.	Efficiency	Notes
1	3600	200-230/460	3.5-3.2/1.6	143JM	TCP71001 ☼	F	√	E+	15.5	75.5	361,363 New!
		200-230/460	3.5-3.2/1.6	143JP	TCP72001 ☼	F	√	E+	18.9	75.5	361,363 New!
	1800	200-230/460	3.3-3.4/1.7	143JM	N149	B			16.0		
		200-230/460	3.2-2.9/1.5	143JM	TCP71026 ☼	F	√	E+	15.5	82.5	361,363 New!
1-1/2	3600	200-230/460	3.2-2.9/1.5	143JP	TCP72026 ☼	F	√	E+	18.9	82.5	361,363 New!
		200-230/460	4.5-4.2/2.1	143JM	N148	B			16.0		
		200-230/460	4.5-4.4/2.2	143JM	TCP71002 ☼	F	√	E+	15.5	82.5	361,363 New!
		200-230/460	4.5-4.4/2.2	143JP	TCP72002 ☼	F	√	E+	18.9	82.5	361,363 New!
	1800	200-230/460	4.5-4.4/2.2	145JM	N161	B			16.0		
		200-230/460	4.4-4.2/2.1	145JM	TCP71027 ☼	F	√	E+	15.5	84.0	361,363 New!
		200-230/460	4.4-4.2/2.1	145JP	TCP72027 ☼	F	√	E+	18.9	84.0	361,363 New!
		200-230/460	6.0-5.3/2.65	145JM	N153	B			16.0		
2	3600	200-230/460	5.5-5.2/2.6	145JM	TCP71003 ☼	F	√	E+	15.5	84.0	361,363 New!
		200-230/460	5.5-5.2/2.6	145JP	TCP72003 ☼	F	√	E+	18.9	84.0	361,363 New!
		200-230/460	5.9-5.6/2.8	145JM	N163	B			16.0		
	1800	200-230/460	5.7-5.6/2.8	145JM	TCP71028 ☼	F	√	E+	15.5	84.0	361,363 New!
		200-230/460	5.7-5.6/2.8	145JP	TCP72028 ☼	F	√	E+	18.9	84.0	361,363 New!
		200-230/460	8.5-8.2/4.1	145JM	N157	B			17.5		291
3	3600	200-230/460	8.2-7.2/3.6	182JP	TCP72004 ☼	F	√	E+	17.2	85.5	361,363
		200-230/460	8.2-7.2/3.6	182JM	TCP71004 ☼	F	√	E+	17.2	85.5	361,363
		230/460	8.4/4.2	182TCZ	N251	F			21.1	85.5	1,291
	1800	200-230/460	9.0-8.0/4.0	182JP	TCP72029 ☼	F	√	E+	20.9	87.5	361,363
		200-230/460	9.0-8.0/4.0	182JM	TCP71029 ☼	F	√	E+	17.2	87.5	361,363
		200-230/460	12.0/6.0	184TCZ	N209	F			21.1	85.5	1,291
5	3600	200-230/460	13.9-11.8/5.9	184JM	TCP71005 ☼	F	√	E+	17.2	87.5	361,363
		200-230/460	13.9-11.8/5.9	184JP	TCP72005 ☼	F	√	E+	20.9	87.5	361,363
		230/460	13.0/6.5	184TCZ	N211	F			21.1	86.5	1,291
	1800	200-230/460	15.0-12.8/6.4	184JP	TCP72030 ☼	F	√	E+	20.9	87.5	361,363
		200-230/460	15.0-12.8/6.4	184JM	TCP71030 ☼	F	√	E+	17.2	87.5	361,363
		200-230/460	19.0/9.5	213JP	N335	F	√		25.3	85.5	1
7-1/2	3600	200-230/460	21.2-18.8/9.4	213JM	TCP71006 ☼	F	√	E+	21.1	88.5	362,363
		200-230/460	21.2-18.8/9.4	213JP	TCP72006 ☼	F	√	E+	24.9	88.5	362,363
		230/460	20.0/10.0	213JP	N329	F	√		25.5	86.5	1
	1800	230/460	19.6/9.8	213TCZ	N311	F			22.6	86.5	1,333
		200-230/460	21.0-18.9/9.45	213JP	TCP72031 ☼	F	√	E+	24.9	89.5	362,363
		200-230/460	21.0-18.9/9.45	213JM	TCP71031 ☼	F	√	E+	21.1	89.5	362,363

Notes:

- Item to be discontinued when stock is depleted
291. 208 Volt @ 1.0 Service Factor
333. Aluminum shell
361. 9 lead
362. 12 lead – Capability for Y Start-Delta Run
363. Double shielded bearings with no regreasing provisions



Motors specially designed, tested and warranted to be **Corona-Free** for compatible inverter duty are marked on this page with a ☼ See page 4 and 5 of this catalog for more Speed Engineered® information.

Continues on next page

For mounting dimensions, see page 16

Types JM, JP and TCZ - Three-Phase - Horizontal - TEFC - Rigid Base - 3600 and 1800 RPM - 1 thru 25 HP

Features:

- Ball Bearings
- Class B or F Insulation
- Oversized, Locked Shaft End Bearing
- Frame Suffix Letters JM and JP Designate NEMA Standard Motors
- Frame Suffix TCZ Designates Century West Coast Pump Standard Motors
- 60 Hz
- Service Factor 1.15
- 40°C Ambient
- External Slinger



N346

Applications: Designed for the specific requirements of centrifugal pumps.

HP	RPM	Volts	Full Load Amps	Frame	Stock Number	Insulation Class	Cast Iron	Type	"C" Dim.	Efficiency	Notes
10	3600	230/460	26.0/13.0	215JP	N346	F	✓		24.8	84.0	1
		230/460	25.0/12.5	215TCZ	N313	F			24.1	85.5	333
		200-230/460	29.4-24.0/12.0	215JM	TCP71007	F	✓	E+	21.1	89.5	361,2,363
	1800	200-230/460	29.4-24.0/12.0	215JP	TCP72007	F	✓	E+	24.9	89.5	362,363
		200-230/460	28.3-25.2/12.6	215JP	TCP72032	F	✓	E+	24.9	89.5	362,363
		200-230/460	28.3-25.2/12.6	215JM	TCP71032	F	✓	E+	21.1	89.5	362,363
15	3600	200-230/460	40.0-35.0/17.6	254JM	TCP71008	F	✓	E+	26.9	90.2	362,364
		200-230/460	40.0-35.0/17.6	254JP	TCP72008	F	✓	E+	29.8	90.2	362,364
	1800	230/460	36.0/18.0	254JM	N424	F	✓		26.8	89.5	1
		230/460	36.0/18.0	254JP	N419	F	✓		29.6	89.5	1
		200-230/460	40.9-36.6/18.3	254JM	TCP71033	F	✓	E+	26.9	91.0	362,364
		200-230/460	40.9-36.6/18.3	254JP	TCP72033	F	✓	E+	29.8	91.0	362,364
20	3600	230/460	46.0/23.0	256JM	N425	F	✓		26.8	87.5	1
		230/460	46.0/23.0	256JP	N433	F	✓		29.6	87.5	1
		200-230/460	53.2-47.0/23.5	256JM	TCP71009	F	✓	E+	26.9	90.2	362,364
	1800	200-230/460	53.2-47.0/23.5	256JP	TCP72009	F	✓	E+	29.8	90.2	362,364
		230/460	48.0/24.0	256JP	N435	F	✓		29.6	91.0	1
		200-230/460	56.7-49.2/24.6	256JP	TCP72034	F	✓	E+	29.8	91.0	362,364
25	3600	200-230/460	56.7-49.2/24.6	256JM	TCP71034	F	✓	E+	26.9	91.0	362,364
		230/460	60.0/30.0	284JM	N516	F	✓		28.4	87.5	1
		230/460	60.0/30.0	284JP	N523	F	✓		28.0	87.5	1
	1800	200-230/460	66.1-59.0/29.5	284JM	TCP71010	F	✓	E+	27.8	91.0	362,364
		200-230/460	66.1-59.0/29.5	284JP	TCP72010	F	✓	E+	30.7	91.0	362,364
		200-230/460	67.9-62.0/31.0	284JM	TCP71035	F	✓	E+	27.8	92.4	362,364
200-230/460	67.9-62.0/31.0	284JP	TCP72035	F	✓	E+	30.7	92.4	362,364		

Notes:

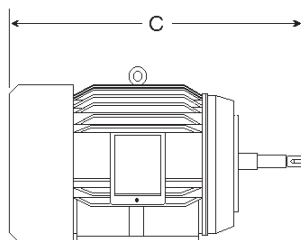
- Item to be discontinued when stock is depleted
291. 208 Volt @ 1.0 Service Factor
333. Aluminum shell
361. 9 lead
362. 12 lead - Capability for Y Start-Delta Run
363. Double shielded bearings with no regreasing provisions
364. Open bearings with regreasing provisions

Continues on next page



Motors specially designed, tested and warranted to be **Corona-Free** for compatible inverter duty are marked on this page with a See page 4 and 5 of this catalog for more Speed Engineered® information.

For mounting dimensions, see page 16



Century® Close-Coupled Pump Motors

Types JM, JP and WCP - Single-Phase - Horizontal - Dripproof - Rigid Base - 3600 and 1800 RPM - 1 thru 10 HP

Features:

- Double Sealed Ball Bearings
- Class B Insulation
- External Slinger
- Frame Suffix Letters JM and JP Designate NEMA Standard Motors
- Frame Suffix TCZ Designates Century West Coast Pump Standard Motors
- 60 Hz
- Service Factor 1.15
- Oversized, Locked Shaft End Bearing
- 40°C Ambient
- Reversible



P137

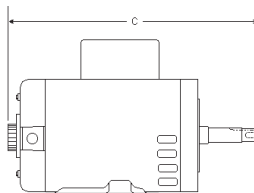
Applications: Designed for the specific requirements of centrifugal pumps.

HP	RPM	Volts	Full Load Amps	Frame	Stock Number	Insulation Class	"C" Dim.	Efficiency	Notes	
1	1800	115/230	15.0/7.5	143JM	P121	B	15.6		21	
		115/230	15.0/7.5	143JP	P126	B	18.6		21	
1-1/2	3600	115/230	16.0/8.0	143JM	P122	B	15.6		21	
		115/230	16.0/8.0	143JP	P127	B	18.6		21	
	1800	115/230	15.0/7.5	145JM	P123	B	16.3		21	
		115/230	18.0/9.0	145JP	P128	B	18.6		21	
2	3600	115/230	19.2/9.6	145JM	P124	B	15.5		21	
		115/230	19.2/9.6	145JP	P129	B	18.6		21	
	1800	115/230	20.4/10.2	182JM	P137	B	16.3		21	
		115/230	25.0/12.5	182JM	P228	B	16.0	72.5		
3	3600	230	13.4	182JM	P130	B	16.1		21	
		230	13.4	182JP	P131	B	19.4		21	
		200	15.6	182JM	P132	B	16.3		21	
		115/230	34.0/17.0	182JM	P229	B	16.0	72.0		
5	3600	115/230	34.0/17.0	184JM	P230	B	17.0	77.0		
		230	20.0	184JM	P140	B	17.1	83.9	160	
		230	22.0	184JP	P135	B	20.1		21	
		200	24.0	184JM	P133	B	17.0		21	
7-1/2	3600	230	26.0	184JM	P231	B	17.0	77.0		
		230	26.0	184JP	P235	B	20.1	78.5		
		230	26.0	184TCZ	P212	B	20.1	77.0		
		1800	230	25.0	213JM	P317	B	17.6	81.0	
			230	25.0	213JP	P324	B	21.5	81.0	
			230	25.0	213TCZ	P312	B	20.7	81.0	
7-1/2	3600	230	39.0	213JM	P318	B	17.6	77.0		
		230	39.0	213JP	P325	B	21.5	77.0		
		230	39.0	213TCZ	P311	B	20.7	77.0		
		1800	230	32.0	215JM	P319	B	19.1	86.0	
230	32.0		215JP	P326	B	23.0	86.0			
10	3600	230	32.0	215TCZ	P313	B	22.2	86.0		
		230	42.0	215JM	P320	B	19.2	83.8		
		230	42.0	215JP	P327	B	22.2	83.8		
		230	42.0	215TCZ	P321	B	22.2	83.8		

Notes:

- 21. Terminal in bracket construction
- 160. Non-reversible, connected for CW facing end opposite shaft

For mounting dimensions, see page 16



New Nameplate Shows Total Motor Capability

Century's close-coupled pump motors are so unique that a nameplate has been developed which shows the total capability of the motor by horsepower, full load amps and service factor amps.

Each value of the motor is clearly described on the nameplate for complete and easy identification.

To the right is a typical nameplate which shows where all nameplate information is placed.

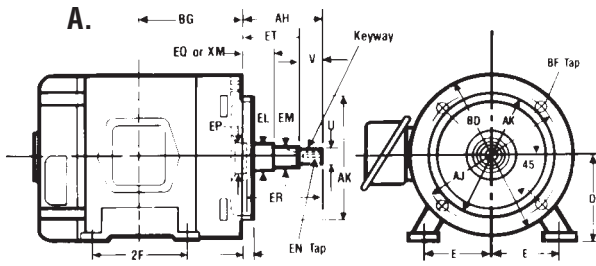
- UL, CSA approved
- Oversized shaft end bearing
- Split conduit box

Century® Definite Purpose Motor Dimensions:

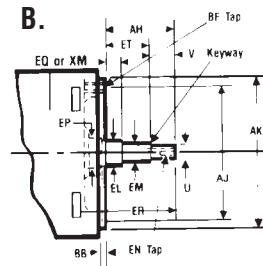
Close-Coupled Pump Motors

- Type JM and Type JP NEMA Standard
- West Coast Pump Type Century Standard

**A. Types JM and JP
143-184 Frame
WCP Type
143-145 Frame**



**B. Types JM and JP
213-256 Frame
WCP Type
182-256 Frame**



Frame (1)	Keyway			D (2)	E	2F	U (4)	V	AH (5)	AJ (6)	AK (7)	BB	BD	BF Tap			BG (3)	EL (4)	EM (4)	EN Tap		EP Min.	EQ or XM(5)	ER Min.	ET (2)
	W	D	L											Thrd.	No.	Dpth.				Thrd.	Dpth.				
143JM	3/16	3/32	1.63	3.50	2.75	4.00	8745	—	4.250	5.875	4.500	.14	6.41	3/8-16	4	.56	4.88	1.156	1.000	3/8-16	.75	1.16	.625	4.250	2.875
143JP	3/16	3/32	1.63	3.50	2.75	4.00	8745	—	7.312	5.875	4.500	.14	6.41	3/8-16	4	.56	4.88	1.156	1.000	3/8-16	.75	1.16	1.563	7.313	5.937
143TCZ	3/16	3/32	1.63	3.50	2.75	4.00	8745	1.38	7.312	5.875	4.500	.14	6.41	3/8-16	4	.56	4.88	1.250	1.000	3/8-16	1.00	—	1.563	—	—
145JM	3/16	3/32	1.63	3.50	2.75	5.00	8745	—	4.250	5.875	4.500	.14	6.41	3/8-16	4	.56	5.38	1.156	1.000	3/8-16	.75	1.16	.625	4.250	2.875
145JP	3/16	3/32	1.63	3.50	2.75	5.00	8745	—	7.312	5.875	4.500	.14	6.41	3/8-16	4	.56	4.88	1.156	1.000	3/8-16	.75	1.16	1.563	7.313	5.937
145TCZ	3/16	3/32	1.63	3.50	2.75	5.00	8745	1.38	7.312	5.875	4.500	.14	6.41	3/8-16	4	.56	4.88	1.250	1.000	3/8-16	1.00	—	1.563	—	—
182JM	3/16	3/32	1.63	4.50	3.75	4.50	8745	—	4.250	5.875	4.500	.14	6.41	3/8-16	4	.56	5.88	1.250	1.000	3/8-16	.75	1.25	.625	4.250	2.875
182JP	3/16	3/32	1.63	4.50	3.75	4.50	8745	—	7.312	5.875	4.500	.14	6.41	3/8-16	4	.56	5.88	1.250	1.000	3/8-16	.75	1.25	1.563	7.313	5.937
182TCZ	3/16	3/32	1.63	4.50	3.75	4.50	8745	1.38	7.312	7.250	8.500	.27	8.96	1/2-13	4	.75	5.88	1.250	1.000	3/8-16	1.00	—	1.563	—	—
184JM	3/16	3/32	1.63	4.50	3.75	5.50	8745	—	4.250	5.875	4.500	.14	6.41	3/8-16	4	.56	6.38	1.250	1.000	3/8-16	.75	1.25	.625	4.250	2.875
184JP	3/16	3/32	1.63	4.50	3.75	5.50	8745	—	7.312	5.875	4.500	.14	6.41	3/8-16	4	.56	6.38	1.250	1.000	3/8-16	.75	1.25	1.563	7.313	5.937
184TCZ	3/16	3/32	1.63	4.50	3.75	5.50	8745	1.38	7.312	7.250	8.500	.27	8.96	1/2-13	4	.75	6.38	1.250	1.000	3/8-16	1.00	—	1.563	—	—
213JM	3/16	3/32	1.63	5.25	4.25	5.50	8745	—	4.250	7.250	8.500	.27	8.75	1/2-13	4	.75	7.25	1.250	1.000	3/8-16	.75	1.75	.625	4.250	2.875
213JP	1/4	1/8	2.50	5.25	4.25	7.00	1.2495	—	8.125	7.250	8.500	.27	8.75	1/2-13	4	.75	7.25	1.750	1.375	1/2-13	1.00	1.75	2.375	8.125	5.875
213TCZ	3/16	3/32	1.63	5.25	4.25	5.50	8745	1.38	7.312	7.250	8.500	.27	8.75	1/2-13	4	.75	7.25	1.250	1.000	3/8-16	1.00	—	1.563	—	—
215JM	3/16	3/32	1.63	5.25	4.25	7.00	8745	—	4.250	7.250	8.500	.27	8.75	1/2-13	4	.75	8.00	1.250	1.000	3/8-16	.75	1.75	.625	4.250	2.875
215JP	1/4	1/8	2.50	5.25	4.25	7.00	1.2495	—	8.125	7.250	8.500	.27	8.75	1/2-13	4	.75	8.00	1.750	1.375	1/2-13	1.00	1.75	2.375	8.125	5.875
215TCZ	3/16	3/32	1.63	5.25	4.25	7.00	8745	1.38	7.312	7.250	8.500	.27	8.75	1/2-13	4	.75	8.00	1.250	1.000	3/8-16	1.00	—	1.563	—	—
254JM	1/4	1/8	2.50	6.25	5.00	8.26	1.2495	—	5.250	7.250	8.500	.27	9.25	1/2-13	4	.75	9.13	1.750	1.375	1/2-13	1.00	1.75	.625	5.250	3.000
254JP	1/4	1/8	2.50	6.25	5.00	8.26	1.2495	—	8.125	7.250	8.500	.27	9.25	1/2-13	4	.75	9.13	1.750	1.375	1/2-13	1.00	1.75	2.375	8.125	5.875
254TCZ	1/4	1/8	2.63	6.25	5.00	8.26	1.2495	2.25	8.125	7.250	8.500	.27	9.25	1/2-13	4	.75	9.13	1.750	1.375	1/2-13	1.25	—	2.375	—	—
256JM	1/4	1/8	2.50	6.25	5.00	10.00	1.2495	—	5.250	7.250	8.500	.27	9.25	1/2-13	4	.75	10.00	1.750	1.375	1/2-13	1.00	1.75	.625	5.250	3.000
256JP	1/4	1/8	2.50	6.25	5.00	10.00	1.2495	—	8.125	7.250	8.500	.27	9.25	1/2-13	4	.75	10.00	1.750	1.375	1/2-13	1.00	1.75	2.375	8.125	5.875
256TCZ	1/4	1/8	2.63	6.25	5.00	10.00	1.2495	2.25	8.125	7.250	8.500	.27	9.25	1/2-13	4	.75	10.00	1.750	1.375	1/2-13	1.25	—	2.375	—	—

For Reference Only Unless Approved for Construction

ACSmith. CENTURY® Pump Motors

PART	7-8505500J-01	ENCL	DP	CAT NUMBER	E492
FRAME	S256JP	PHASE	3	SERIAL CODE	BY11
TYPE	MOGB	AMBIENT/INS.	40/F	OPER. INSTR.	
DRV BRG	309SF	OPP.DRV.BRG.	207SF	PROT.	

CUSTOMER PART NUMBER

VOLTS	230/460	200/400	200
H.P.	25.0	25.0	25.0
HERTZ	60	50	60
AMPS	61.0/30.5	71.0/35.5	67.0
R.P.M.	3505	2870	2460
NEMA NOM EFF	87.5	84.0	86.5
NEMA DESIGN	B	B	—
DUTY	CONT	CONT	CONT
SERVICE FACTOR	1.15	1.00	1.15
CODE	G	F	E
NOM PF	87.7	90.3	92.9

LOW VOLTAGE LINE

LOW VOLTAGE LINE

Commercial Pump Motor Cross Reference

SINGLE PHASE 230 (115) VOLT ODP

HP	RPM	FRAME	AOS	MARATHON	BALDOR	EMERSON	GE	STA-RITE				
								BERKLEY	ITT-MARLOW	AURORA	PENTAIR/PUREX	
3	3600	182JM	P229	Z406	JML1406T							
3	3600	182JM	P130					DMH/DDH				
3	1800	184JM	P230	Z407	JML1408T							
5	3600	184JM	P231	Z408	JML1409T			DMJ/DHJ	3B28EC-C2-1			
5	3600	184TY	V214									CH50/CM50
5	3600	184TY	V220									LH50
5	1800	184JM	P317	Z409	JML1508T							
7.5	3600	213JM	P318	Z410	JML1509T			CSPHK	3B32EC-C2-1			
7.5	1800	215JM	P319	Z411	JML1510T					341A-3X4X9B-7.5-1		
10	3600	215JM	P320	Z412	JML1511T			CSPHL				

THREE PHASE 230/460 VOLT ODP

HP	RPM	FRAME	AOS	MARATHON	BALDOR	EMERSON	GE	STA-RITE				
								BERKLEY	ITT-MARLOW	AURORA	PENTAIR/PUREX	
3	3600	145JM	E177	M311	JMM3158T	DJ3S1AM	N846	DMH3/DHH3				
3	1800	182JM	E294	M313	JMM3211T	DJ3S2AM	N704					
5	3600	182JM	E296	M315	JMM3212T	DJ5S1AM	N705	DMJ3/DHJ3	3B28EC-C2-3			
5	3600	182TY	R237									CHK50/CMK50
5	3600	182TY	R236									LHK50
5	1800	184JM	E282	M317	JMM3218T	DJ5S2AM	N706					
7.5	3600	184JM	E285	M319	JMM3219T	DJ7S1AM	N707	CSPHK3	3B32EC-C2-3			
7.5	3600	184TY	R232									CMK75/CHK75
7.5	1800	213JM	E368	M321	JMM3311T	DJ7S2AM	N708			341A-3X4X9B-7.5-3		
10	3600	213JM	E371	M323	JMM3312T	DJ10S1AM	N709	CSPHL3				
10	3600	213TY	R338									CMK100/CHK100
10	1800	215JM	E374	M325	JMM3313T	DJ10S2AM	N710			341A-3X4X9B-10-3		
15	3600	215JM	E377	M327	JMM3314T	DJ15S1AM	N711	CSPHM3				
15	3600	215TY	R339									CMK150/CHK150
15	1800	254JM	E482	M329		DJ15S2AM	N712			341A-3X4X9B-15-3		
20	3600	254JM	E485	M330	JMM2514T	DJ20S1AM	N713	CSPHN3				
20	3600	254TY	R346									CHK200
20	1800	256JM	E488	M331	JMM2515T	DJ20S2AM	N714			341A-4X5X11-20-3		
25	3600	256JM	E491	M332	JMM2516T	DJ25S1AM	N715					
25	1800	284JM	E566	M333		DJ25S2AM	N716			341A-4X5X11-25-3		

THREE PHASE 208-230/460 VOLT TEFC

HP	RPM	FRAME	AOS	MARATHON	BALDOR	EMERSON	GE	STA-RITE				
								BERKLEY	ITT-MARLOW	AURORA	PENTAIR/PUREX	
3	3600	182JM	N223	M405	JMM3610T	UJ3S1AM	N735					
3	1800	182JM	N232	M406	JMM3611T	UJ3S2AM	N737					
5	3600	184JM	N245	M407	JMM3613T	UJ5S1AM	N738					
5	1800	184JM	N246	M408	JMM3615T	UJ5S2AM	N739					
7.5	3600	213JM	N342	M409	JMM3709T	UJ7S1AM	N740					
7.5	1800	213JM	N344	M410	JMM3710T	UJ7S2AM	N741					
10	3600	215JM	N343	M411	JMM3711T	UJ10S1AM	N742					
10	1800	215JM	N345	M412	JMM3714T	UJ10S2AM	N743					
15	3600	254JM	N417	M413	JMM2394T	UJ15S1AM	N744					
15	1800	254JM	N424	M420	JMM2333T	UJ15S2AM	N745	M08311				
20	3600	256JM	N425	M414	JMM4106T	UJ20S1AM	N746					
20	1800	256JM	N426	M421	JMM2334T	UJ20S2AM	N747	M10490				
25	3600	284JM	N516		JMM4107T	UJ25S1AM	N748	S34562				
25	1800	284JM	N535		JMM4103T	UJ25S2AM	N749					

Shaft Extensions for All Close-Coupled Pump Duty Requirements

These new A. O. Smith Century® Close-Coupled pump motors are made to the specific requirements of centrifugal pumps. They are designed for mounting the pump impeller on the motor shaft extension. The shaft extension is machined to standard dimensions adopted by NEMA and developed jointly with the Hydraulic Institute.

Shaft extension types are:

- Type JM – short shaft
- Type JP – long shaft
- Type WCP – long shaft, similar to Type JP

Motors may be mounted horizontally or vertically. For vertically mounted motors, protective top covers are required. Shaft dimensions for all three types are found in the dimensional table in this bulletin.



1. The NEMA Type JM motor has a short shaft extension and may be used for pumps with packing or mechanical rotary seal.



2. The NEMA Type JP motor has a long shaft extension for pumps with packing gland or mechanical rotary seal.



3. The "West Coast Pump" motor is a Century® standard design with a long shaft extension, similar to the NEMA Type JP.

Your Authorized Distributor is:



NOW AVAILABLE! FAX OR PHONE YOUR ORDER TODAY!

Divisional Headquarters
A. O. Smith Electrical Products Company
531 North Fourth Street
Tipp City, OH 45371
A DIVISION OF A. O. SMITH CORPORATION

AO Smith®
Innovation has a name.

Distribution Services
1325 Heil Quaker Blvd.
LaVergne, TN 37086
(800) 672-6495
Fax: (800) 468-2062
www.aosmithmotors.com