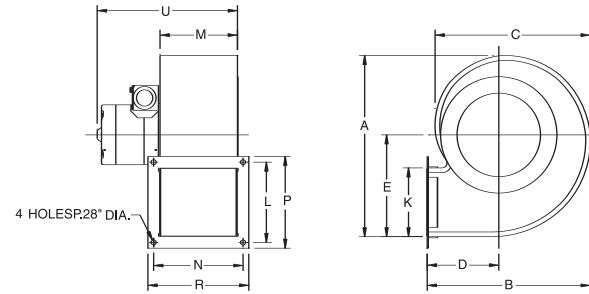




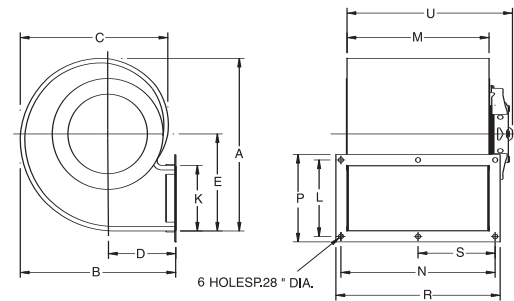
AIR MAKE-UP UNITS

AMU Series

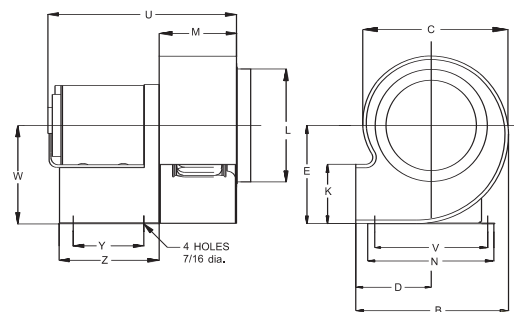
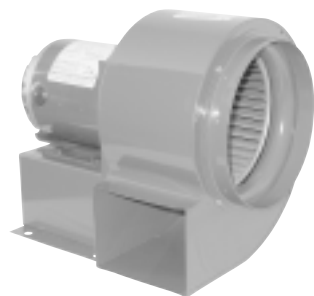
Specification Charts



Description	A	B	C	D	E	K	L	M	N	P	R	S	U	Weight (lbs)
AMU 265	9.93	9.0	8.46	3.9	5.55	3.75	4.37	4.22	4.87	5.0	5.5	-	7.65	8.05



Description	A	B	C	D	E	K	L	M	N	P	R	S	U	Weight (lbs)
AMU 465	9.93	9.0	8.46	3.9	5.55	3.75	4.37	8.12	8.82	5.0	9.4	4.41	9.46	11.0



Description	A	B	C	D	E	K	L	M	N	U	V	W	Y	Z	Weight (lbs)
AMU 525	11.91	10.85	10.36	4.88	6.98	4.24	8.0	5.5	9.0	13.6	8.0	7.23	5.0	7.02	24
AMU 625	11.91	10.85	10.36	4.88	6.98	4.24	8.0	6.0	9.0	14.1	8.0	7.23	5.0	7.02	24
AMU 845	13.43	12.19	11.66	5.44	7.60	4.76	8.0	6.0	9.0	14.8	8.0	7.85	5.0	7.02	30
AMU 1100	16.58	14.62	14.06	6.34	9.51	6.28	9.0	7.0	9.0	16.6	8.0	9.81	5.0	7.02	53



Series AMU

Airdex Air Make-Up Units

230 Saunders Road, P.O. Box 1207
 Barrie, Ontario, Canada L4M 5E2
 Tel: (705) 739-8882 Fax: (705) 739-8781
 Email: sales@airdexp.com
 Web: www.airdexp.com



AIR MAKE-UP UNITS

AMU Series

Construction

Welded steel housing finished in grey enamel.

Application

Available in a wide range of sizes handling 75 c.f.m. to 1100 c.f.m.

Designed to use as Air Replacement and Air Make-Up Units, for permanent installation.

To exhaust foul air and replace with fresh outside air.

By drawing on its wide range of tooled, standard parts, **Airdex** engineers can design a blower to meet your specific needs whether high or low air flow. AC motors, high or low resistance, single or double inlet.



Performance Data

Air Delivery (CFM) at R.P.M. Specified

Description	H.P.	R.P.M.	Free Air	1/8" SP	1/4" SP	3/8" SP	1/2" SP	3/4" SP	1" SP	1 1/4" SP
AMU 75	1/60	3000	75	61	54	43	-	-	-	-
AMU 130	1/70	1550	130	107	87	30	-	-	-	-
AMU 160	1/40	1600	165	150	135	120	104	-	-	-
AMU 245	1/20	1550	245	225	210	190	162	-	-	-
AMU 265	1/20	1610	265	250	233	215	185	-	-	-
AMU 400	1/12	1550	400	380	365	340	315	200	-	-
AMU 465	1/15	1530	465	430	397	357	308	-	-	-
AMU 525	1/4	1725	525	500	480	460	420	240	120	-
AMU 625	1/4	1725	625	600	560	540	500	420	280	100
AMU 845	1/2	1725	845	825	790	760	730	650	570	425
AMU 1100	1/3	1140	1100	1050	1000	950	B60	700	-	-

Tested by The Nozzle Chamber Method as directed in A.M.C.A. Bulletin #210. Figure #4.

Features

115 Volt, 60 Hz

- Thermal overload protection
- Conduit wiring box
- Permanently lubricated bearings
- Horizontal or vertical operation
- Counter clockwise rotation drive side

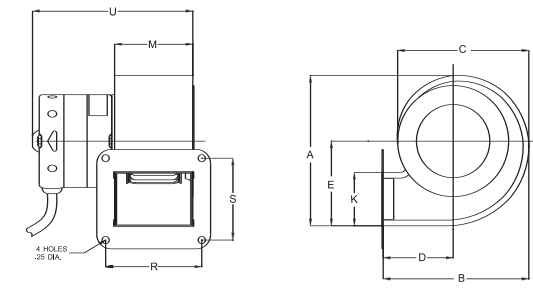
- AMU 245, 400, 525, 625, 845 and 1100 supplied with inlet collars.
- Sleeve bearings with oilers
- 4 discharge positions



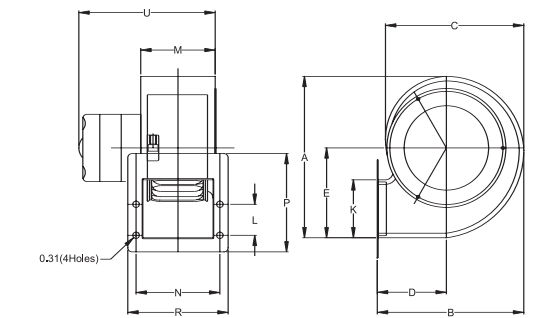
AIR MAKE-UP UNITS

AMU Series

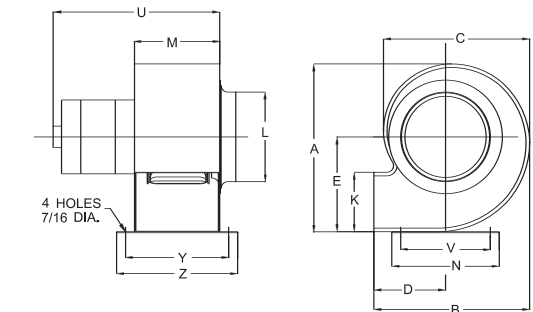
Specification Charts



Description	A	B	C	D	E	K	M	R	S	U	Weight (lbs)
AMU 75	5.34	5.17	4.68	2.50	3.02	1.92	2.75	3.38	2.88	5.35	3.4
AMU 130	7.59	7.09	6.58	3.31	4.30	2.72	3.75	4.69	3.75	6.75	4



Description	A	B	C	D	E	K	L	M	N	P	R	U	Weight (lbs)
AMU 160	7.80	7.08	6.69	3.34	4.34	2.80	1.50	3.60	4.05	4.75	4.85	6.40	5.4



Description	A	B	C	D	E	K	L	M	N	U	V	Y	Z	Weight (lbs)
AMU 245	9.41	8.73	8.17	4.0	5.33	3.36	5.0	4.75	6.0	9.0	5.0	5.75	6.75	8
AMU 400	10.61	9.76	9.24	4.44	6.01	3.79	6.0	5.25	6.0	10.75	5.0	6.25	7.25	13